

## ROLLERFLEX 2

ROLLERFLEX 2 is a flexographic printing unit intended for continuous marking on various materials such as cardboard, plastic film, textile, shaped goods, metal, carpet, flooring, etc... with a constant printing quality for linear speeds ranging from 1 to more than 150 m/mn.



### Range

- Development: 537 mm
- Reel width: 50 and 100 mm  
Other: contact us
- Printing from above, from below or for frontal printing version (on request).
- Optional photopolymer drum
- Optional sleeve laser drum



CONTACT :  
TIFLEX

CS 30200 - 01450 PONCIN France

Tel : +33 (0)4 74 37 33 80/97

Fax : +33 (0)4 74 37 33 62

international@tiflex.fr



Scan this code  
and discover  
our website!

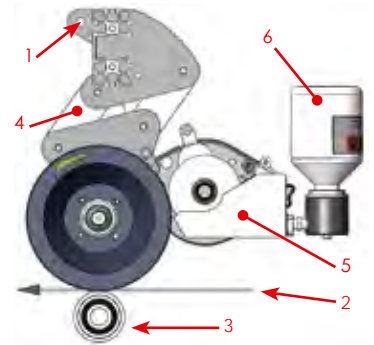
[www.tiflex.com/solutions-gb-mic.html](http://www.tiflex.com/solutions-gb-mic.html)

## Installation

### Printing from above:

The 90 x 45 (1) Norcan section allows an easy integration of the **ROLLERFLEX 2** into the production line, above the product to be marked (2) and directly above the counter-pressure cylinder (3).

The pantograph (4) maintains the device horizontally during marking, while guaranteeing an optimum level of ink in the ink tank (5) via the use of valve type ink cartridges (6).



### Printing block attachment

We recommend the use of our Autoclips characters:

- Easy attachment on the drum
- Fast interchangeability of the composition (alphabet, set of numbers, date packs, blocks)

Possibility of attaching various types of rubber or photopolymer blocks with the appropriate drum.



### Inking

Simple and clean, ROLLERFLEX 2 is fed by:

- **A 500-ml valve type ink cartridge** easily interchangeable

This solution is preferred for frequent colour or quality changes

- **An electronic ink dosing system** with a peristaltic pump

This solution is recommended for large continuous runs without any action required on the flexographic unit. The adjustment of the ink volume is very precise.

- The wave-proof bottom of the ink tank removes all risks of ink overflowing or ink projection.

The detachable ink tank and the Anilox roller are easily removed.

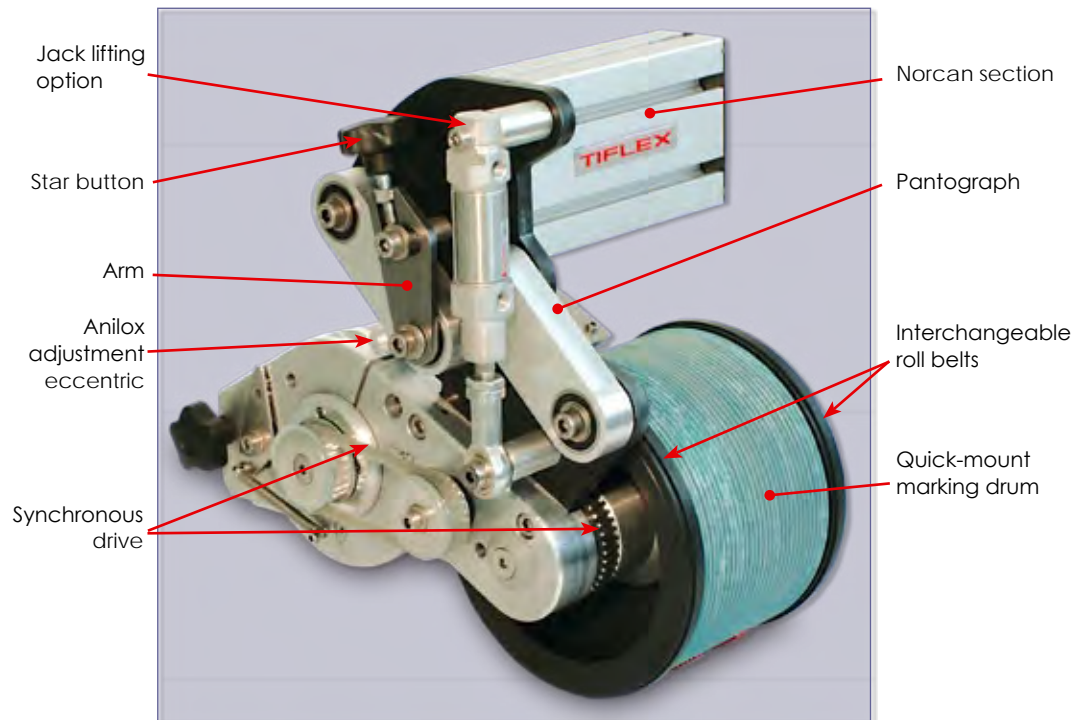
The cleaning is therefore easier.

A changeover of ink quality is very quickly done.

### Startup and adjustments

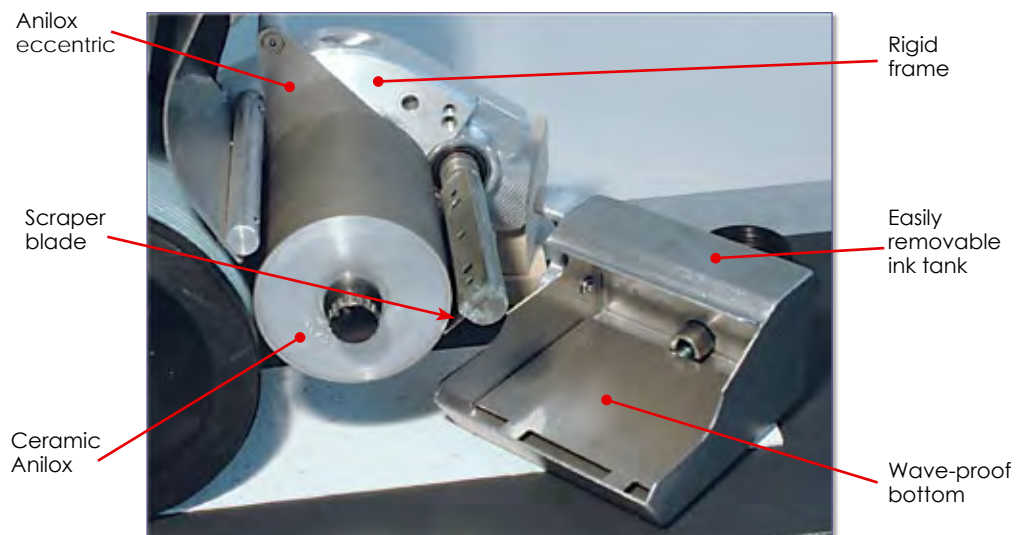
- 1) Unlock the stop position by swinging the arm towards the front.
- 2) Adjust the resting pressure using the star button.

Option: pneumatic jack for automatically lifting the flexographic unit.



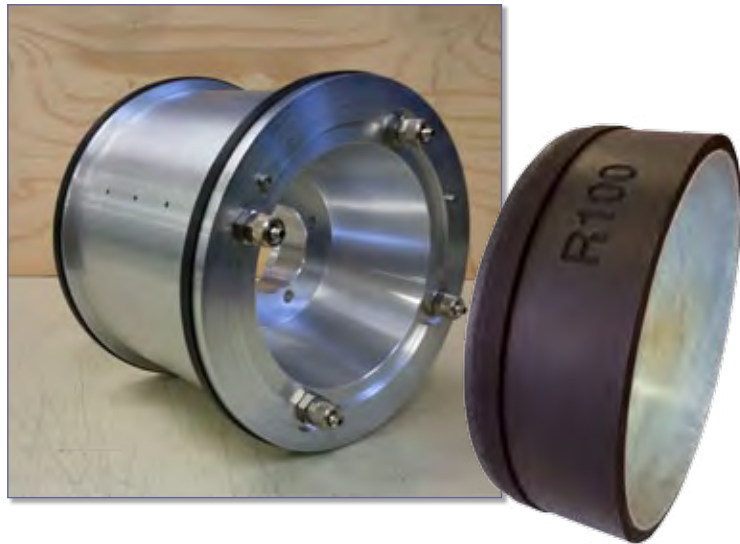
- 3) The ROLLERFLEX 2 driving is provided by the nitrile roll belts of the marking drum and by a synchronous transmission with gearing and timing belt for an optimum marking quality even at high speed.
- 4) The marking quality is guaranteed by the very precise calibration of the ink film, provided by the adjustable scraper and the fine precision laser-engraved ceramic Anilox roller.

Screens adapted to the product to be marked, from 10 to 20 cm<sup>3</sup>/m<sup>2</sup>.



#### Optional sleeve laser drum

- Cylinder with a printing sleeve for you texts, logos,...
- Dismantling system with compressed air
- Cylinder with a printing sleeve for continuous marking
- Rubber sleeve on easy to mount carbon fiber



#### Cleaning and maintenance

- Tank cleaning: Nettol
  - Anilox cleaning: Nettol
  - Blade cleaning: Nettol
  - Block cleaning: Aeronet
- **The cleaning kit** which includes a spray, a brush and a small nylon brush will allow you to clean your equipment in the best conditions.
  - **The Anilox cleaning kit** which includes a steel brush and a special pin will allow you to revive your Anilox after several uses.

**You are strongly advised not to soak your blocks in solvent!**

CONTACT :  
TIFLEX

CS 30200 - 01450 PONCIN France  
Tel : +33 (0)4 74 37 33 80/97  
Fax : +33 (0)4 74 37 33 62  
international@tiflex.fr



Scan this code  
and discover  
our website!

[www.tiflex.com/solutions-gb-mic.html](http://www.tiflex.com/solutions-gb-mic.html)

