

**DOT 160x17 U  
SUPERFAST**

**DOT 160x25 U  
SUPERFAST**



## INTEGRABLE · DOT PEEN MARKING UNIT

- **Top-speed** dot peen marking unit, up to 16 characters per second. Especially designed to be integrated into **production lines**.

## ADVANTAGES

- **Maximum marking speed**, for all kinds of materials and hardnesses up to 62HRC.
- Maximum reliability, **uninterrupted productions, and reduced maintenance costs**.
- Highly robust and long-lasting, thanks to the high quality of its components.
- Circular connector to facilitate assembly and disassembly.

## CHARACTERISTICS

- 160 by 17 mm marking area.
- 160 by 25 mm marking area.
- Speed up to 16 characters/second.
- Hardness of materials to mark up to 62HRC.
- 6-bar air pressure.
- Different header types, depending on marking needs: pneumatic (N7SB, N14SB) and electric (S2, S6).
- 2.5-metre robotics wire.  
Other lengths: 5, 10 and 15 metres.
- Marking alphanumeric codes, logotypes, DATAMATRIX™, QR codes, etc.
- Connection with **COUTHsmartbox** for integration into production lines (see technical file for more information).
- PC edition programme:
  - **COUTHvector**, logotype creation.
  - **COUTHedit**, marking file creation.
  - **COUTHmonitor**, machine status monitoring.
- **COUTHlink**. Library to facilitate connectivity between COUTH smartbox and the production line PLC.

## DOT 160x17 U SUPERFAST

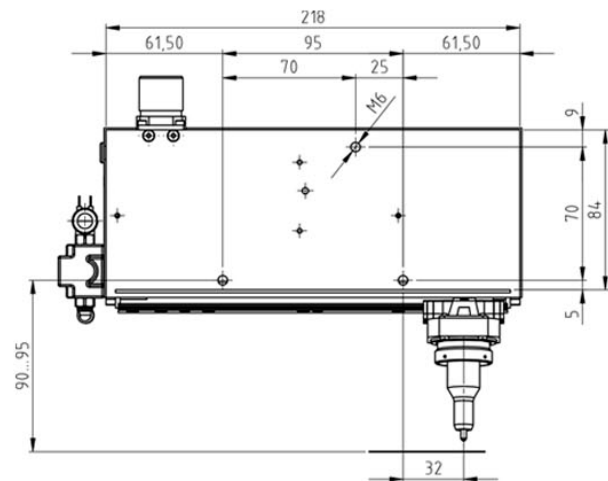
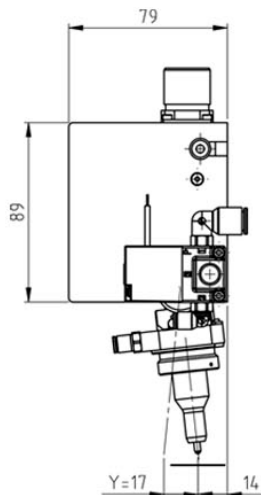
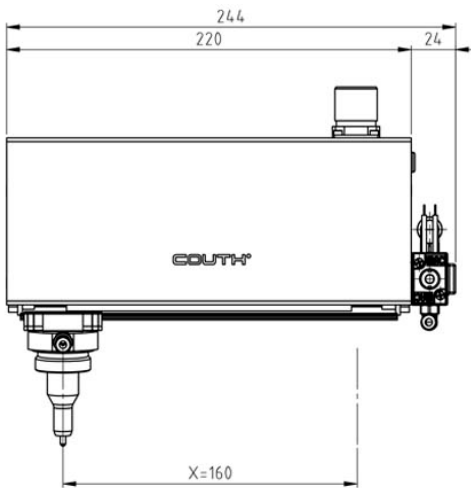
## DOT 160x25 U SUPERFAST

INTEGRABLE · DOT PEEN MARKING UNIT



### DIMENSIONS

#### DOT 160X17 U



#### DOT 160X25 U

