

## DOT 50x17 P+N SUPERFAST

## DOT 50x25 P+N SUPERFAST

### BLENDED · DOT PEEN MARKING

- Blended **top-speed** dot peen marking station. With all the advantages of a marking station and a portable marking unit. Designed for companies with a wide variety of pieces, including those whose dimensions mean it is better to mark on the production line. Especially recommended for **VIN** marking in the **automobile industry**.



### ADVANTAGES

- **Maximum flexibility**, combining a marking station with a portable marking unit.
- **Maximum marking speed**, for all kinds of materials and hardnesses up to 62HRC.
- **Versatility in the size of the pieces to be marked**, thanks to regulation up to 250 mm in height, so you can mark everything from thin sheets to large pieces, including fastening.
- Highly **robust and long-lasting**, thanks to the high quality of its components.
- Circular connector to facilitate assembly and disassembly. **Possibility of 90-degree rotation**.
- T-slot, facilitating **placement of marking tools**.
- Possibility of anchoring the table to a surface for **greater stability**.
- COUTH brand is backlit with two-colour LED, providing **visual identification of the marking machine's status**.
- Can mark **large pieces**.
- **Ergonomic and lightweight**, it facilitates access to any position and handling for the user.
- May be purchased with **window kit** to increase the machine's support of the part, guaranteeing **higher marking quality**. (Code 2274550)

### CHARACTERISTICS

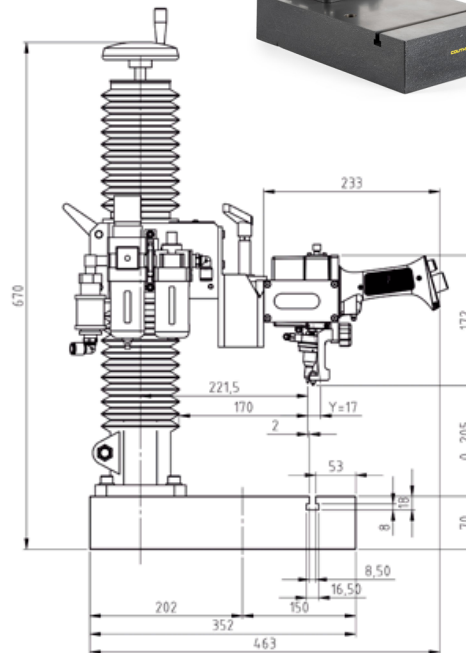
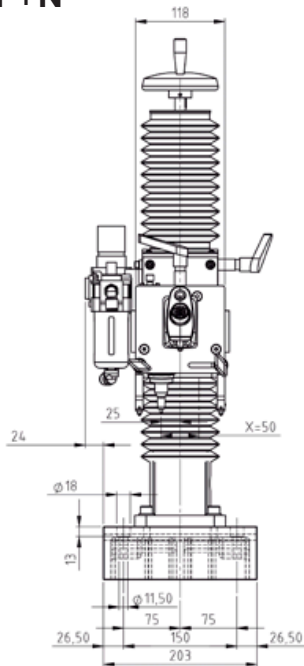
- 50 by 17 mm marking area.
- 50 by 25 mm marking area.
- Speed up to 16 characters/second.
- Hardness of materials to mark up to 62HRC.
- 6-bar air pressure.
- Table for placing tools and plate stand.
- Column with height regulation up to 250 mm.
- Different head types, depending on marking needs: pneumatic (N7SB, N10SB, N14SB, N20SB) and electric (S2, S6).
- Protection system that is easy to assemble and disassemble.
- 5-metre robotics wire.  
Other lengths: 10 and 15 metres.
- Marking alphanumeric codes, logotypes, DATAMATRIX™, QR codes, etc.
- Connection with **COUTHsmartbox** control for integration into production lines (see technical specifications for more information).
- PC edition programme:
  - **COUTHvector**, logotype creation.
  - **COUTHedit**, marking file creation.
  - **COUTHmonitor**, machine status monitoring.
- **COUTHlink**. Library to facilitate connectivity between COUTH smartbox and the production line PLC.

## DOT 50x17 P+N SUPERFAST

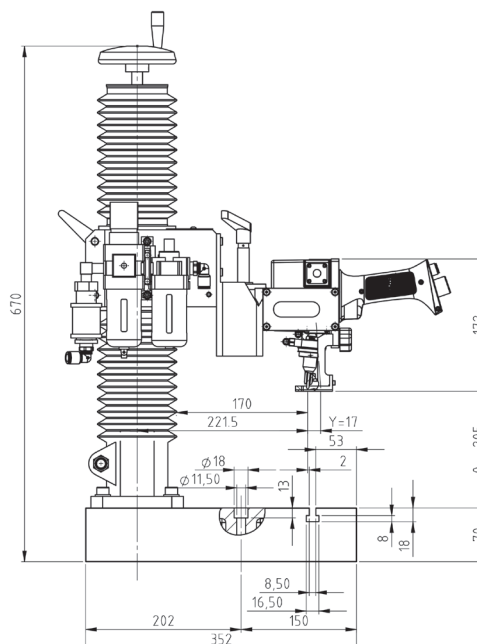
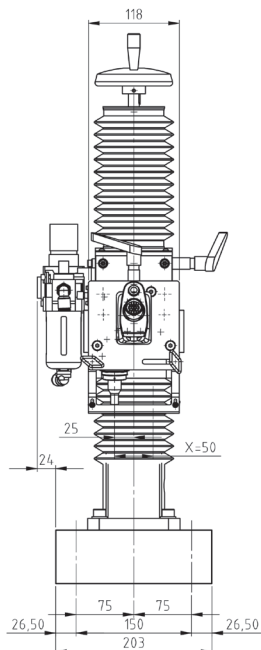
BLENDED · DOT PEEN MARKING

### DIMENSIONS

DOT 50X17 P+N



DOT 50X17 P+N WITH WINDOW KIT (CODE 2274550)

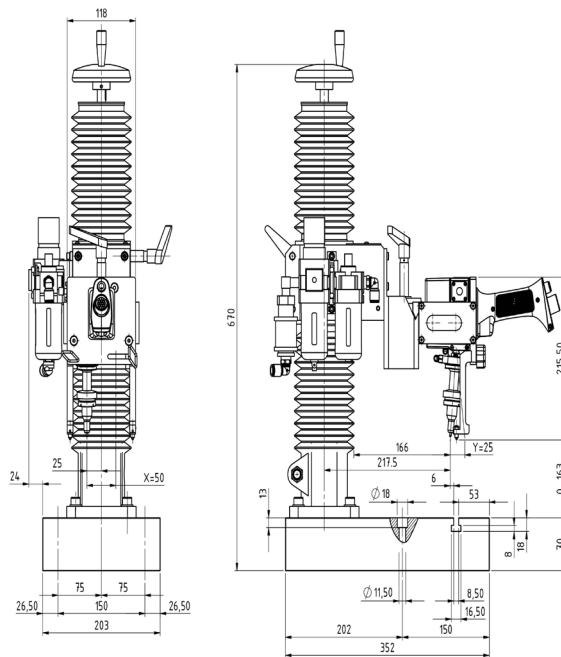


## DOT 50x25 P+N SUPERFAST

BLENDED · DOT PEEN MARKING

### DIMENSIONS

DOT 50X25 P+N



DOT 50X25 P+N WITH WINDOW KIT (CODE 2274550)

