

## DOT 90x60 N STANDARD

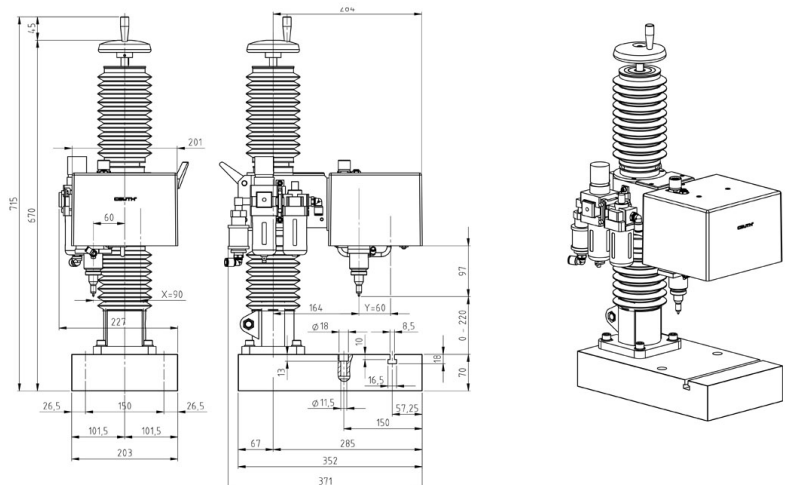
### BENCHTOP SYSTEMS · DOT PEEN MARKING

- Dot peen marking station, **autonomous** with height regulation and **large marking area**. Especially designed for marking small batches and changing productions.



### ADVANTAGES

- Great **production flexibility**, thanks to its large marking area, so you can change the size, position of the mark, and even the number of pieces to mark.
- Highly **robust and long-lasting**, thanks to the high quality of its components.
- Marking for **all kinds of materials and hardnesses**, up to 62HRC.
- Option to use for deep mark with N34 cylinder
- Circular connector to **facilitate assembly and disassembly**.
- Bi-colour LED, **visual information** on the machine's status.
- **Versatility in the size of the pieces to be marked**, thanks to regulation up to 250 mm in height, so you can mark everything from thin sheets to large pieces, including fastening.
- Machined work surface, guaranteeing **precision** in marking.
- T-slot to facilitate **tool placement**.
- Possibility of anchoring the table to a surface for **greater stability**.



Area	Dimensions (mm)			Weight
	X x Y	Width	Depth	
90 x 60	200	375	660	31.5

### CHARACTERISTICS

- Table for placing tools and plate stand.
- Column with height regulation up to 250 mm
- 90 x 60 mm marking area.
- Speed up to 12 characters/second
- 6-bar air pressure.
- Hardness of materials to mark up to 62HRC.
- Wide range of characters, from 0.1 mm to complete area.
- Marking alphanumeric codes, logotypes, DATAMATRIX™, QR codes, etc.
- Different marking head types, depending on marking needs:
  - pneumatic (N7, N10, N14, N20) and electric (S2, S6).
- Option to use for deep mark with N34 cylinder
- Optional protection system that is easy to assemble and disassemble.
- Bi-colour LED provides information on the machine's status.
- Built-in circular connector that facilitates maintenance
- 2.5-meter robotics cable, with customisation possibilities.
- Connection with COUTH control unit (see technical file for more information).
- PC edition software.